

WireCrafters®

PHYSICAL BARRIERS • MACHINE GUARDS • ROBOTIC WORK CELLS • PERIMETER OR AREAS GUARDS

PHYSICAL BARRIERS



Quick-Ship

Ships in 48 Hours...The 6'-2" Guard System

Our barriers are a reliable, versatile, and economical answer to personnel safety...

Wire Partitions from WireCrafters are a simple, effective way to protect personnel from the dangers posed by automated equipment. These barriers are a strong, reliable, and economical solution to plant safety needs. System versatility allows easy integration of access doors or material handling openings with system controls. Unlike hi-tech devices, this guard is always on duty, unaffected by power outages or electrical problems. Also doubles as a potential safety net by containing objects ejected by a malfunctioning robot. Crimped and woven wire mesh is resilient; resists dings, retains its shape, and appearance.

Our basic physical barrier system combines a 5' high panel and 6'-2" high posts. Panels bolt to posts using standard 3/8" hardware. Configuration leaves 1' sweep space beneath panel and a 2" projection above panel. Each post has a 4" x 9" x 3/8" baseplate for mounting to the floor. Four 3/8" anchors included with each post. Enclosures with odd-angle perimeters can be created with adjustable hardware. Three and four foot wide hinged gates are available.

NOTE

ALL QUICK SHIP ITEMS ARE ONLY AVAILABLE IN STANDARD GRAY.



STANDARD 6'-2" GUARD SYSTEM 6'-2" POSTS, 5' HIGH PANELS, 1' SWEEP

PANELS

Part No.	Width x Height	Weight
105	10'-0" x 5'-0"	74
95	9'-0" x 5'-0"	68
85	8'-0" x 5'-0"	63
75	7'-0" x 5'-0"	54
65	6'-0" x 5'-0"	48
55	5'-0" x 5'-0"	42
45	4'-0" x 5'-0"	36
35	3'-0" x 5'-0"	27
25	2'-0" x 5'-0"	22
15	1'-0" x 5'-0"	16

POSTS

Part No.	Height	Sweep Space	Weight
RP6	6'-2"	1'-0"	18
CP6	6'-2"	1'-0"	18

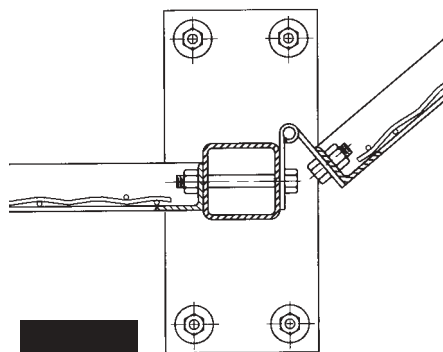
DOORS

Part No.	Opening Width	Type	Weight
HDR356	3'-0" x 5'-0"	Hinged	81
HDR456	4'-0" x 5'-0"	Hinged	86

(Each door supplied with two door posts and door hardware. To specify lock or latching options, see page 5.)

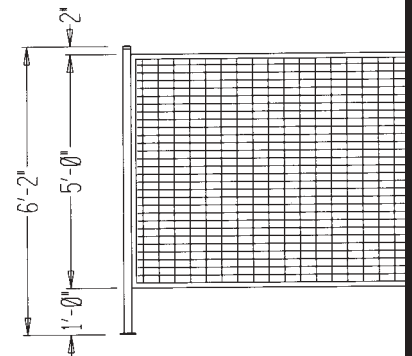
Free design and layout assistance available.
Call 800-626-1816.

TOP VIEW OF ADJUSTABLE MOUNTING



Part No. ADJPK

TYPICAL ELEVATION



Quick-Ship

Ships in 48 Hours...The 8'-5" Guard System

TEN WIDTHS, 1' TO 10' IN ONE FOOT INCREMENTS.

- Standard height is 4'-0".
- Full height partition walls are built by stacking two or more panels between posts.
- Mesh: 10 gauge wire woven into 2" x 1" rectangular openings.
- Frame 1-1/4" x 1-1/4" x 1/8" steel angle.
- Custom size panels available.
- Alternate meshes available, see back cover.

HINGED DOORS

- 3' or 4' wide by 7' 3-1/4" high opening.
- Transom panel sized to match partition height.
- Three 4" x 4" 10 gauge tight pin hinges.
- Padlock lugs standard, other locks available.
- Ships with two door posts and hardware.
- Universal construction, works for left or right hand, inside or outside swing.

DOUBLE HINGED DOORS

- 6' or 8' wide by 7' 3-1/4" high opening.
- Inactive leaf secured by cane bolt (base) and chain bolt (top).
- Padlock lugs standard, other locks available.
- Ships with two door posts and hardware.
- Transom panel sized to match partition height.
- Custom size and no overhead obstruction doors available.

SLIDING DOORS

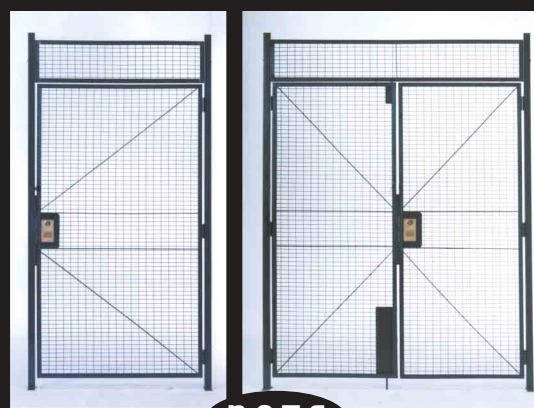
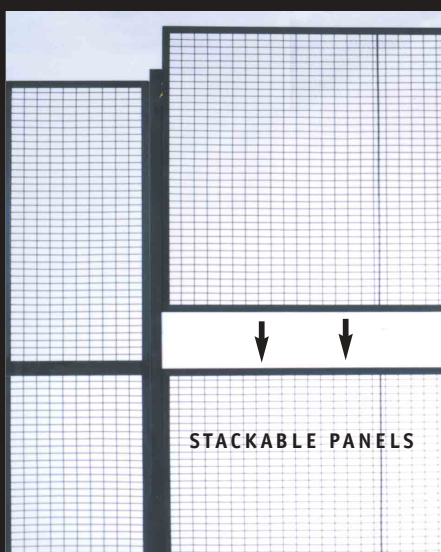
- 3', 4', 5', 6', 8' or 10' widths.
- Full height partition openings of 8'.
- Padlock lugs standard, other locks available.
- Ships with two door posts, two 4 wheel trolley trucks, 16 gauge track, and all hardware.
- Universal construction, works for left/right hand, inside/outside.
- Custom sizes available.

POSTS

- Stock size: 8'-5 1/4".
- Standard hole layout allows for 3-1/4" sweep-space.
- Posts project 2" above top of panel.
- Standard Baseplate: 2" x 7" with holes for anchors.
- 3/8" Floor anchors are included with your order.

Never "too tall" of an order to fill!

For taller systems, use our standard 8'-5" physical barrier. This system utilizes two 4' high panels stacked between 8'-5" posts. It features a 3" sweep space beneath the panels with a 2" post projection above the panels. Posts have a 2" x 7" x 1/4" base-plate for mounting to the floor (two 3/8" anchors included). System bolts together with standard 3/8" hardware. Full line of hinged and sliding doors are available. This physical barrier system is easy to reconfigure as needs change.



NOTE

STANDARD 10'-5" AND 12'-5" BARRIER SYSTEMS OF SIMILAR CONSTRUCTION ARE ALSO AVAILABLE.

STANDARD 8'-5" GUARD SYSTEM

PANELS

Part No.	Width x Height	Weight
104	10'-0" x 4'-0"	63
94	9'-0" x 4'-0"	58
84	8'-0" x 4'-0"	53
74	7'-0" x 4'-0"	46
64	6'-0" x 4'-0"	41
54	5'-0" x 4'-0"	36
44	4'-0" x 4'-0"	31
34	3'-0" x 4'-0"	23
24	2'-0" x 4'-0"	18
14	1'-0" x 4'-0"	13

HINGED DOORS

Part No.	Opening	
	Width x Height	Weight
HD-37-8	3'-0" x 7'-3 1/4"	106
HD-47-8	4'-0" x 7'-3 1/4"	118

DOUBLE HINGED DOORS

Part No.	Opening	
	Width x Height	Weight
DHD67-8	6'-0" x 7'-3 1/4"	170
DHD87-8	8'-0" x 7'-3 1/4"	193

SLIDING DOORS

Part No.	Width x Height	Weight
SD-38-8	3'-0" x 8'-1/4"	124
SD-48-8	4'-0" x 8'-1/4"	137
SD-58-8	5'-0" x 8'-1/4"	149
SD-68-8	6'-0" x 8'-1/4"	196
SD-88-8	8'-0" x 8'-1/4"	230
SD-108-8	10'-0" x 8'-1/4"	279

STOCK SIZE POST

Part No.	Height	Weight
RP-8		
Run	8'-5-1/4"	20
CP-8/TP-8		
Corner/Tee	8'-5-1/4"	21

Custom Options

Design the perfect barrier to fit your needs



Custom colors include yellow frames with yellow mesh (L) or yellow frames with black mesh (C). Welding curtain (R)

SPECIAL COLORS

As an option, you may request your barriers to be (1) yellow frames/yellow mesh, or (2) yellow frames/black mesh. We can also match RAL numbers and can provide your barriers with many different finishes.

ACCESS PANELS

System offers Lift Out Panels for frequently accessed areas and Removable Panels for entry points that require more control. These panels may be combined with standard panels and posts at any location in the system.

HEIGHT

WireCrafters physical barriers are not limited to the standard heights detailed on pages 2 and 3. We can supply physical barriers to any height you may require.

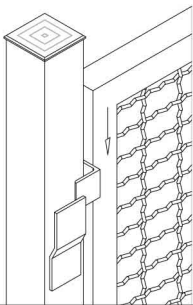
WELDING CURTAINS

Welding curtains, sized to match panel dimensions, are available in a variety of colors. Curtains protect personnel from welding flash and sparks.

MOUNTING PLATES FOR INTERLOCKS AVAILABLE

Should you prefer to use an interlocking system, WireCrafters can provide the mounting plates on the doors and posts for these devices. WireCrafters does not supply the actual interlocking system.

Lift Out Panel



PANEL CONSTRUCTION

The versatility of WireCrafters' guarding systems allows us to economically substitute other materials in our panel framework. Choose from clear polycarbonate sheet, 16 gauge sheet metal, or a variety of special size wire meshes as listed in the table to the right. Heavier posts and frames are also available.

Non-standard size panels, panels with cutouts or pass-thru openings can be integrated into your system. Call and ask for details on these special items. (See the lift-out and removable panel styles pictured to left)

SPECIAL SIZE WIRE MESH

1/2" center-to-center square
12 gauge (3/8" square opening)

1-5/8" center-to-center square
8 gauge (1-1/2" square opening)

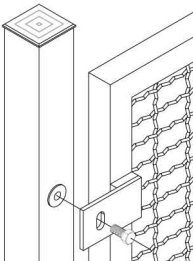
2-1/4" center-to-center square
6 gauge (2" square opening)

2" center-to-center square
8 gauge welded wire mesh
(1-7/8" square opening)

3/4" center-to-center square
10 gauge (5/8" square opening)

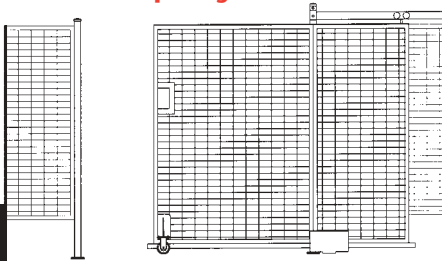
1-1/2" diamond mesh
10 gauge

Removable Panel



Sliding Tunnel Gate with Unobstructed Opening

Tunnel Gates have unobstructed openings. Leading edge of door rolls on floor casters. Locking or latching options available and plates for mounting safety interlock switches.



Standard Locks

Standard Fronts and Backs Ship Within 48-Hours.

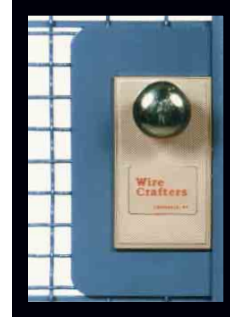
STANDARD FRONT (SF-1)



ALTERNATE FRONTS



(SF-2) Thumb-Turn Latch... latches only, does not lock.



(SF-3) Door Knob Entry... latches only, does not lock.

ALTERNATE FRONTS work with any of the three backs shown below.

ALTERNATE BACKS work with any of the locks show to the left.

STANDARD BACK (SB-1)



ALTERNATE BACKS



(SB-2) Interior Key... lock from both sides, keyed to match face side.



(SB-3) Door Knob... typical size door knob for easy exit.



(SB-4) Lever Handle... alternative to standard door knob. Meets ADA requirements.

keying options

STANDARD CYLINDERS:

- Standard locks are supplied keyed different.
- Keyed alike locks available
- Optional Master Key available

ALTERNATE CYLINDERS:

- Best Cylinder® Less Core
- Any 1" mortise cylinder



Put our "Lock Experience" to the Test!

Let us know if you need a special locking device. We have experience with many different lock styles. Let us put our know-how to work for you.

Worksheet

Photocopy & Fax to 502-361-3857

Name	
Company	
Address	
City/State/Zip	"Ship-To" Zip Code
Fax #	
Phone #	

HEIGHT:

- Standard 6'-2" (includes 1' sweep space and 2" post projection)
- Standard 8' 5-1/4" (includes 3-1/4" sweep space and 2" post projection)
- Other _____

COLOR:

- Standard Gray
- Yellow Frames and Posts/Black Mesh
- All Yellow
- Other _____

LOCKS:

- Cylinder Lock Keyed Alike Different
- Latch Only/Turn Knobs, Both Sides
- Other _____

TO RECEIVE A PRICE ON WIRECRAFTERS PRODUCTS:

- Photocopy this page or go to www.wirecrafters.com and click on "RFQ".
- Complete the information to the left.
- Sketch your layout below, note overall dimensions.
- Mark the location, size, and type of all doors and windows.
- Note construction type of adjacent walls and floor.
- Fax to WireCrafters at 502-361-3857.
- We will respond within one working day.

PANELS

Shall be 10gauge steel wire crimped and woven in to 2" x 1" opening rectangular mesh, securely welded into a frame of 1-1/4" x 1-1/4" x 1/8" steel angle factory punched with 7/8" x 7/16" slotted holes to accept 3/8" mounting hardware. Panels four to six feet wide shall have one 1/4" x 3/4" flat stiffener, wider panels receive two 1/4" x 3/4" stiffeners. All panels shall be fastened to posts with 3/8" x 3" plated bolts and nuts.

DOORS HINGED

Shall be constructed of the same materials as the panels with two 1/4" x 3/4" horizontal stiffeners across the width, and two diagonal 1/4" x 3/4" stiffeners from center to the corner. Hinged doors shall be equipped with padlock lugs (cylinder lock optional), three 4" x 4" spun pin hinges, and pick plate/slam bar assembly.

DOORS SLIDING

Shall be constructed of the same materials as the panels with two

1/4" x 3/4" horizontal stiffeners across the width, and two vertical 1/4" x 3/4" stiffeners from center to top or bottom. Sliding doors shall be equipped with two 4 wheel trolley trucks, 1-7/8" x 2-3/8" door track, pad lock lugs (cylinder lock optional), and door keeper assembly.

POSTS

Shall be made of 2" x 2" x 14 gauge steel tubing. Base plates of 4" x 9" x 1/4" with four mounting holes or 2" x 7" x 1/4" with two mounting holes shall be welded.

Posts are factory drilled with 1/2" holes to accept hardware for mounting panels.

HARDWARE

Shall be 3/8" standard thread grade two plated nuts and bolts. Floor anchors are 3/8" wedge type-provided.

FINISH

Non-plated parts receive one coat of gray acrylic enamel. Touch up paint included with each shipment.